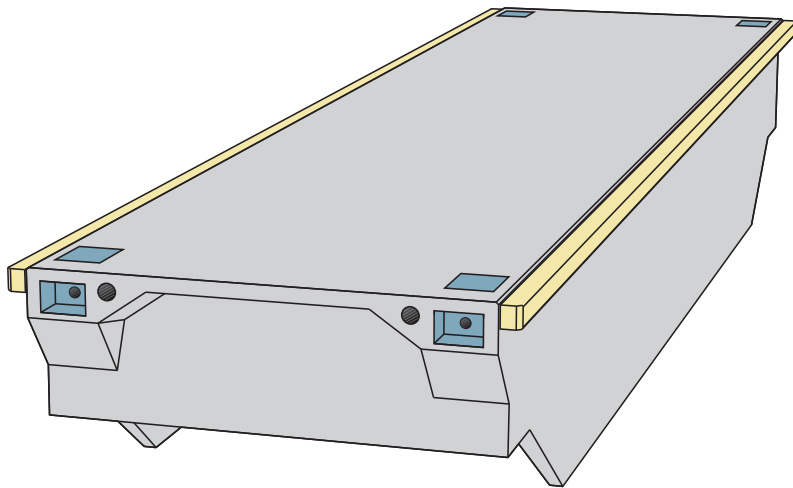


Breakwater 3300K

The **Breakwater 3300K** units are massively strong and durable. Professionally designed by experienced engineers, the breakwaters have a long maintenance free service life. Features of the design are the exceptionally strong rubber/steel connections, the accessibility of the anchor connections providing easy installation and the optimised size for road transport. Fitted with twin keels the 3300K breakwater units have very effective wave attenuation characteristics.



FLOATS	M3312BRK	M3316BRK	LAYOUT
Length (m)	12,2	16,1	
Width with fenders (m)	3,3	3,3	
Concrete width (m)	3,0	3,0	
Height (m)	1,8	1,8	
Weight (t)	21,1	28,2	
Net capacity (kN/m ²)	5,5	5,5	
Freeboard (m)	0,55	0,55	
Strength of joint (kN)	2x812	2x812	
Joint gap (mm)	90	90	

Exact unit weight and freeboard are subject to detailed specification of the unit, equipment and mooring methods.

Marinetek operates a policy of continuous development and reserves the right to change specifications without notice.

Revision date: 14.11.2008

MARINETEK GROUP

Vattuniemenkatu 3
FI-00210 Helsinki, Finland
WEB www.marinetek.net

TEL. +358 (0)9 682 4100
FAX +358 (0)9 682 41030
EMAIL info@marinetek.net



TECHNICAL DATA

Concrete strength: 45-55 N/mm² watertight, steel reinforced plastic fibre concrete.
Exposure class according to European EN 206-1 standard.

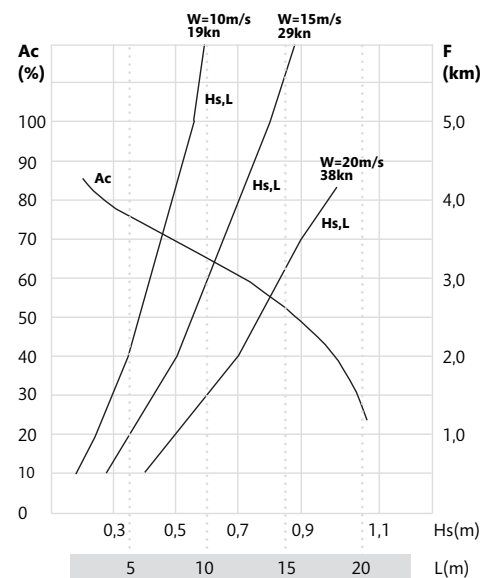
Core: Expanded polystyrene, density 15 kg/m³

Reinforcement: Partly or fully hot dip galvanised or stainless steel

Optional accessories: Concrete coatings, wooden deck, fixing rails, cable ducts and fenders (timber or plastic)

WAVE ATTENUATION CAPACITY

Sheltered sea conditions



F=Effective fetch length. **W**=Wind velocity.
L=Wave length. **Hs**=Significant wave height.
Ac=Wave attenuation capacity.