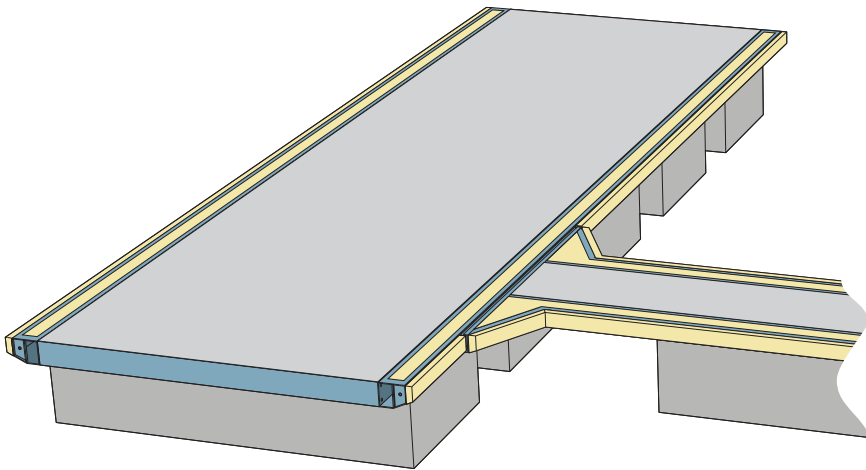


# Conduct pontoons 2400, 2900

The **Conduct Pontoon** is a high quality modular system designed for use in modern and sheltered marinas. The construction comprises galvanized steel structure incorporating a reinforced concrete deck to provide an extremely hardwearing, anti slip and maintenance free walking surface. Big sized top entry service channels with composite wood covers and fenders are provided to both sides. Conduct pontoons come with epoxy coated EPS floats or optionally with other Marinetek standard floats. The elements can be fixed cornerwise in 0,25 m intervals. Also all kind of angles and shapes are possible.



## TECHNICAL DATA

Structure: Fully welded steel frame, galvanised to EN ISO 1461

Deck: 45-55 N/mm<sup>2</sup> watertight, steel reinforced plastic fibre concrete. Exposure class according to European EN 206-1 standard.

Reinforcement: Fully hot dip galvanised steel

Floats: Closed cell expanded polystyrene block density 15 kg/m<sup>3</sup> protected with epoxy coating or other Marinetek floats

Fingers: Marinetek standard Fingers or concrete deck Conduct Fingers

STANDARD PONTOON ELEMENTS	U2406CD	U2409CD	U2906CD	U2909CD	U2406CDH	U2409CDH	U2906CDH	U2909CDH
Deck length (m)	6,0	9,0	6,0	9,0	6,0	9,0	6,0	9,0
Width (m)	2,4	2,4	2,9	2,9	2,4	2,4	2,9	2,9
Unit weight (t)	2,97	4,45	3,46	5,18	2,97	4,45	3,46	5,18
Net capacity (kN/m <sup>2</sup> )	2,0	2,0	2,0	2,0	2,5	2,5	2,5	2,5
Freeboard (m)	0,5	0,5	0,5	0,5	0,6	0,6	0,6	0,6
Joint gap (mm)	25	25	25	25	25	25	25	25

Two standard widths are available, but the design enables different widths in 0,25 m intervals (2,15 m, 2,65 m, 3,15 m).

Exact unit weight and freeboard are subject to detailed specification of the unit, equipment and mooring methods.

Marinetek operates a policy of continuous development and reserves the right to change specifications without notice.

Revision date: 14.11.2008



## MARINETEK GROUP

Vattuniemenkatu 3  
FI-00210 Helsinki, Finland  
**WEB** [www.marinetek.net](http://www.marinetek.net)

**TEL.** +358 (0)9 682 4100  
**FAX** +358 (0)9 682 41030  
**EMAIL** [info@marinetek.net](mailto:info@marinetek.net)

**MARINETEK**  
More than Surface