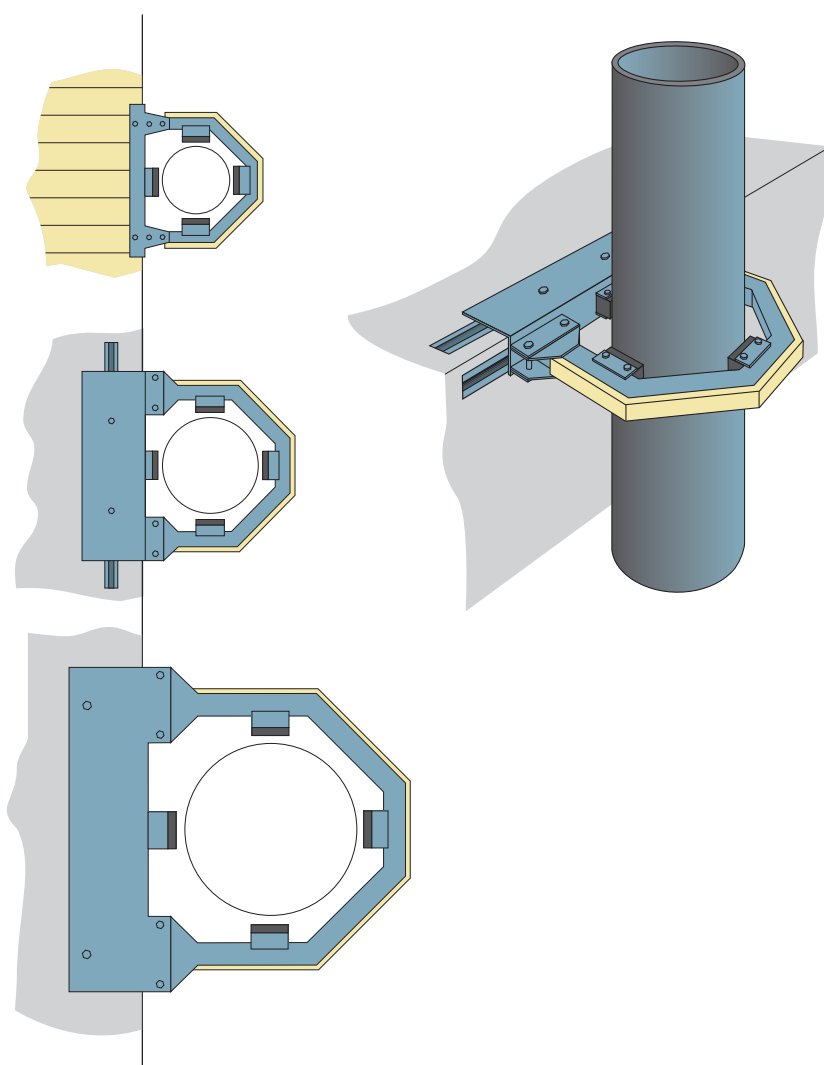


# Pile Guides

Marinetek standard **Pile Guides** have been designed for mooring all types of Marinetek pontoons and breakwaters. Every guide has a strong welded and hot dip galvanised steel structure, low friction polyethylene wearing blocks and wooden fendering.



In addition to the standard sizes, units of special dimensions are also available.

Marinetek operates a policy of continuous development and reserves the right to change specifications without notice.

Revision date: 15.01.2008

## MARINETEK GROUP

Vattuniemenkatu 3  
FI-00210 Helsinki, Finland  
**WEB** [www.marinetek.net](http://www.marinetek.net)

**TEL.** +358 (0)9 682 4100  
**FAX** +358 (0)9 682 41030  
**EMAIL** [info@marinetek.net](mailto:info@marinetek.net)

## TECHNICAL DATA

### G200

The pile guide G200 has been designed for timber pontoons and for piles of 305-356 mm diameters. The design pile load is 20 kN.

### G400

The pile guide G400 has been designed for Heavy Duty Pontoons and for piles of 406-508 mm diameters. The design pile load is 40 kN.

### G700

The pile guide G700 is the strongest standard product and has been designed for biggest Heavy Duty Pontoons and Breakwaters and for piles of 762-920 mm diameters. The design load is 70 kN.



**MARINETEK**  
More than Surface